

# SPEC SHEET

## ICE EMV4 – EMV6 – EMV9

Ε.Ε.Τ.ΕΡ. Αφοι ΠΕΠΟΝΑ Ο.Ε.

Εξοπλισμοί Τεχνικών Έργων

Τηλ. & Fax: 27510 68720

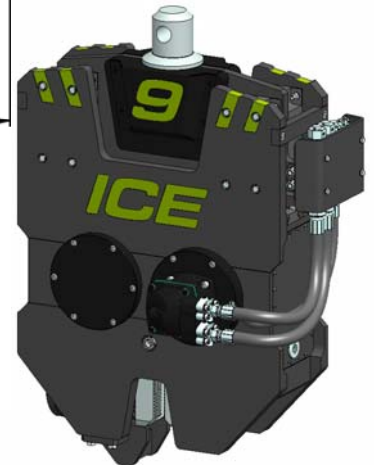
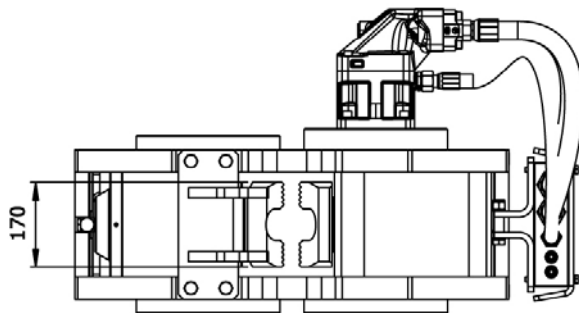
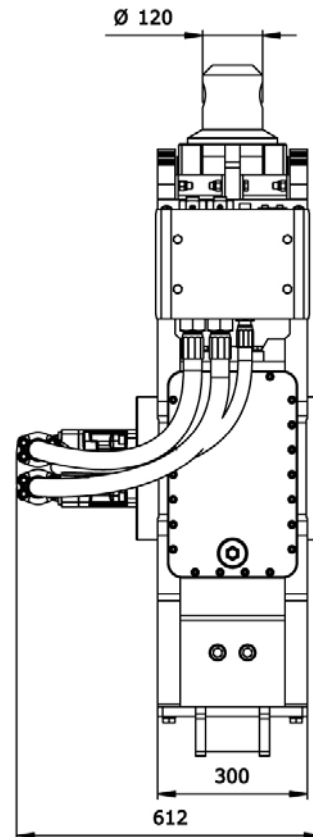
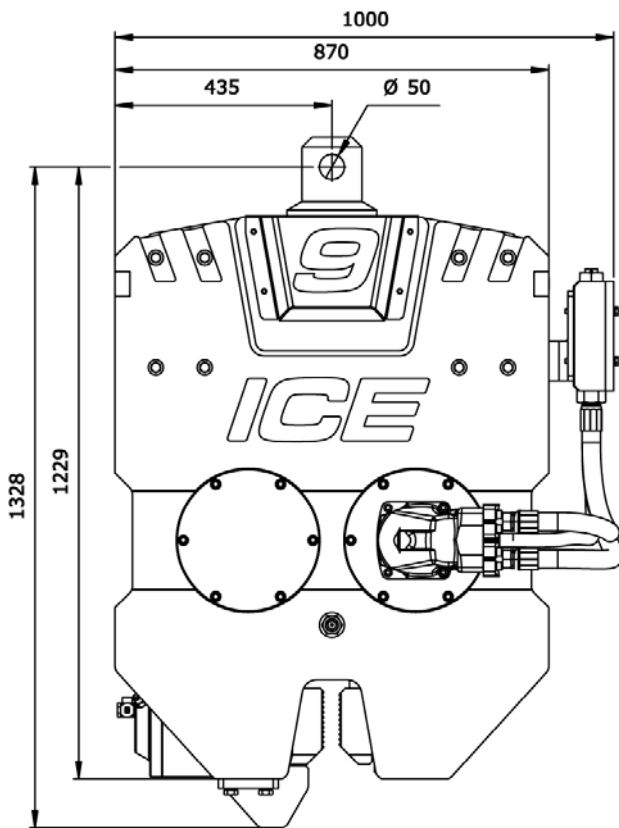
info@eter.gr

www.eter.gr

# ICE

INTERNATIONAL CONSTRUCTION EQUIPMENT

M4EMV0010/0410  
M6EMV0010/0410  
M9EMV0010/0410



### SPECIFICATIONS:

	EMV4	EMV6	EMV9	
Eccentric moment	4,3	5,9	8,9	kgm
Max. centrifugal force	371	407	519	kN
Max. frequency	2800	2500	2300	rpm
Max. amplitude incl. clamp	10	13,1	19,2	mm
Max. static line-pull	120	120	120	kN
Max. hydraulic power	98/133	117/160	125/170	kW/HP
Max. operating pressure	350	350	350	bar
Max. oil flow	167	201	214	l/min
Dyn. weight incl. clamp	890	910	930	kg
Total weight incl. clamp	1060	1080	1100	kg